

SPEC.NO.	TQ3C-8EAF0-E1DKB14-00
DATE	September 7, 2007

S P E C

FOR : _____

TYPE : THG062HVL AJ - G00

C O N T E N T S

1. Application
2. Construction and Outline
3. Mechanical Specifications
4. Absolute Maximum Ratings
5. Electrical Characteristics
6. Optical Characteristics
7. Interface Signals
8. Timing Characteristics of input signals
9. Backlight Characteristics
10. Lot Number Identification
11. Warranty
12. Precautions for Use
13. Reliability Data / Environmental Test
14. Outline Drawing



KYOCERA CORPORATION
KAGOSHIMA HAYATO PLANT
LCD DIVISION

This specification is subject to change without notice.
Consult Kyocera before ordering.

Original	Designed by :Engineering Dept.			Confirmed by :QA Dept.	
Issue Date	Prepared	Checked	Approved	Checked	Approved
September 7, 2007	<i>T. Oshida</i>	<i>Y. Yamaguchi</i>	<i>G. Matsumoto</i>	<i>J. Sakaguchi</i>	<i>T. Oshida</i>

Warning

1. This Kyocera LCD module has been specifically designed for use only in electronic devices and industrial machines in the area of audio control, office automation, industrial control, home appliances, etc. The module should not be used in applications where the highest level of safety and reliability are required and module failure or malfunction of such module results in physical harm or loss of life, as well as enormous damage or loss. Such fields of applications include, without limitation, medical, aerospace, communications infrastructure, atomic energy control. Kyocera expressly disclaims any and all liability resulting in any way to the use of the module in such applications.
2. Customer agrees to indemnify, defend and hold Kyocera harmless from and against any and all actions, claims, damages, liabilities, awards, costs and expenses, including legal expenses, resulting from or arising out of Customer's use, or sale for use, or Kyocera modules in applications.

Caution

1. Kyocera shall have the right, which Customer hereby acknowledges, to immediately scrap or destroy tooling for Kyocera modules for which no Purchase Orders have been received from the Customer in a two-year period.

Revision Record

Date	Designed by: Engineering Dept.			Confirmed by: QA Dept.	
	Prepared	Checked	Approved	Checked	Approved
Rev. No.	Date	Page	Descriptions		

1. Application

This data sheet defines the specification for a (640×R.G.B)×240 dot, amorphous silicon TFT transfective color dot matrix type Liquid Crystal Display with LED backlight. 『RoHS Compliant』

2. Construction and Outline

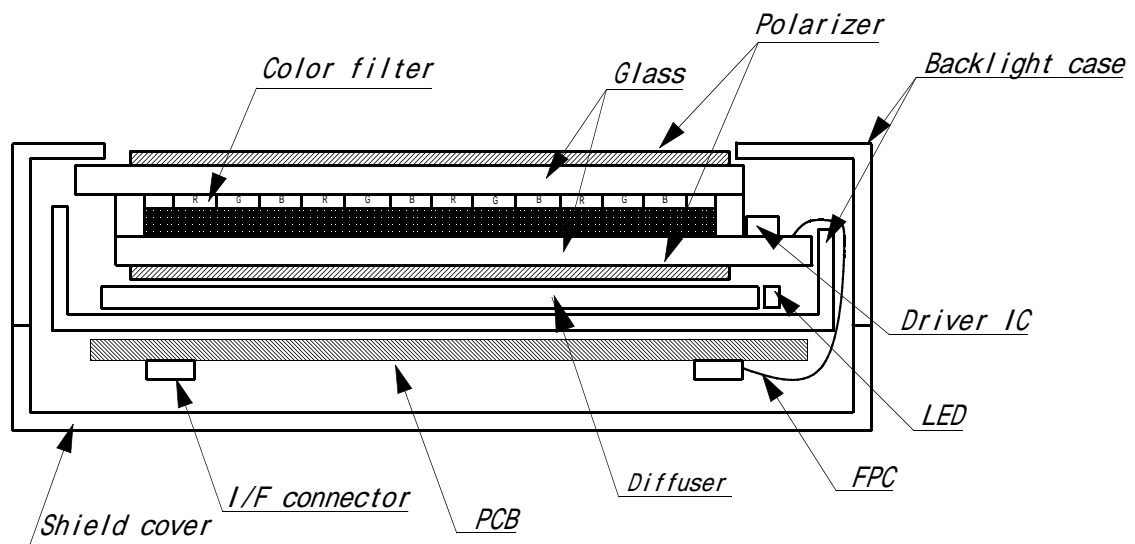
(640×R.G.B)×240 dots, COG type LCD with LED backlight.

Backlight system : Side-edge type (LED).

Polarizer : Glare treatment.

Additional circuits : Timing controller, Power supply (3.3V input)

Touch panel : Analog type. Non-Grare treatment.



This drawing is showing conception only.

3. Mechanical Specifications

3-1. Mechanical specification of LCD panel

ITEM	SPECIFICATION	UNIT
Outline dimensions	174.2 (W) × 73.4 (H) × 14.0 (D)	mm
Effective viewing area	149.8 (W) × 57.4 (H)	mm
Dot number	(640×R.G.B) (W) × 240 (H)	Dots
Dot pitch	0.077 (W) × 0.231 (H)	mm
Display mode *1	Normally white	-
Mass	(200)	g

*1 Due to the characteristics of the LCD material, the color vary with environmental temperature.

3-2. Mechanical Specifications of touch panel

ITEM	SPECIFICATION	UNIT
Input	Radius-0.8 stylus or Finger	-
Actuation Force	0.5N ± 0.3N	-
Transmittance	Typ.80	%
Surface hardness	pencil hardness 2H or more according	-

4. Absolute Maximum Ratings

4-1. Electrical absolute maximum ratings

ITEM	SYMBOL	Min.	Max.	UNIT
Power input voltage	VDD	0	4.0	V
Input signal voltage *1	Vin	-0.3	6.0	V
Forward current *2	IF	—	(17)	mA
Reversed voltage *2	VR	—	(5)	V
Touch panel supply voltage	Vtp	0	6.0	V
Touch panel Input current	Itp	0	0.5	mA

*1 Input signals : CK, R0 ~ R5, G0 ~ G5, B0 ~ B5, Hsync, Vsync, ENAB, R/L, U/D, V/Q

*2 For each : "AN1-CA1", "AN2-CA2", "AN3-CA3", "AN4-CA4".

4-2. Environmental absolute maximum ratings

ITEM	SYMBOL	Min.	Max.	UNIT
Operating temperature *1	Top	(-20)	(70)	
Storage temperature *2	Tsto	(-30)	(80)	
Operating humidity *3	Hop	10	*4	%RH
Storage humidity *3	Hsto	10	*4	%RH
Vibration	-	*5	*5	-
Shock	-	*6	*6	-

*1 Operating temperature means a temperature which operation shall be guaranteed.
Since display performance is evaluated at 25 , another temperature range should be confirmed.

*2 Temp. = (-30) < 24 h , Temp. = (80) < 24 h

Store LCD panel at normal temperature/humidity.

Keep it free from vibration and shock.

LCD panel that is kept at low or high temperature for a long time can be defective due to the other conditions, even if the temperature satisfies standard.

(Please refers to 12. Precautions for use as detail).

*3 Non-condensation.

*4 Temp. 40 , 85%RH Max.

Temp. > 40 , Absolute Humidity shall be less than 85% RH at 40 .

*5

Frequency	10 ~ 55 Hz	Converted to acceleration value : (0.3 ~ 9 m/s ²)
Vibration width	0.15 mm	
Interval	10-55-10 Hz 1 minute	

2 hours in each direction X/Y/Z (6 hours as total)

EIAJ ED-2531

*6 Acceleration: 490m/s²

Pulse width : 11 ms

3 times in each direction : ±X/±Y/±Z.

EIAJ ED-2531

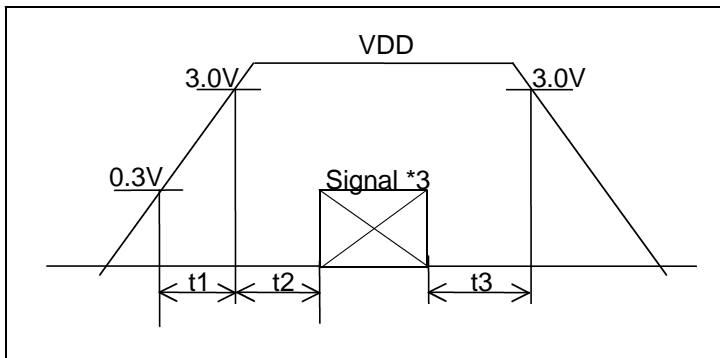
5. Electrical Characteristics

5-1. LCD

VDD = +3.3V ± 0.3V , Temp. = (TBD)

ITEM	SYMBOL	MIN	TYP	MAX	UNIT	
Power input voltage *1	VDD=3.3V	VDD	3.0	3.3	3.6	V
Current consumption *2		IDD	-	(230)	(300)	mA
Permissive input ripple voltage(VDD=3.3V)	VRP	-	-	(100)	mVp-p	
Input signal voltage (Low) *3	VIL	0	-	0.3VDD	V	
Input signal voltage (High) *3	VIH	0.7VDD	-	+5.5	V	

*1 VDD-turn-on conditions



$$0 < t_1 \quad 20 \text{ ms}$$

$$0 < t_2 \quad 50 \text{ ms}$$

$$0 < t_3 \quad 1 \text{ s}$$

*2 Power consumption

Pattern :

VDD = 3.3V, V/Q=H

```

1 2 3 ..... 1918 1919 1920(dot)
2
3
:
:
2 3 9
2 4 0
(dot)
    
```

*3 Input signals : CK, R0 ~ R5, G0 ~ G5, B0 ~ B5, Hsync, Vsync, ENAB, R/L, U/D, V/Q

5-2. Touch Panel

5-2-1. Terminal resistance

Between xL and xR : 200 ~ 1000

Between yU and yL : 200 ~ 1000

5-2-2. Linearity

±1.5% x : 1.5% or less

y : 1.5% or less

5-2-3. Insulation resistance

100M or more at DC25V

6 . Optical Characteristics

6-1. Reflective mode

Measuring points = 6.0mm , Temp. = 25

ITEM		SYMBOL	CONDITION	MIN	TYP	MAX	UNIT
Response time	Rise	r	= $\pm 0^\circ$	-	(10)	-	ms
	Down	d	= $\pm 0^\circ$	-	(10)	-	ms
Contrast ratio		CR	= $\pm 0^\circ$	(20)	(35)	-	-
Refrectance			= $\pm 0^\circ$	(15)	(25)	-	%

6-2. Transmissive mode

ITEM		SYMBOL	CONDITION	MIN	TYP	MAX	UNIT	
Response time	Rise	r	= $\pm 0^\circ$	-	(10)	-	ms	
	Down	d	= $\pm 0^\circ$	-	(10)	-	ms	
Viewing angle range			CR 5	Upper	-	(40)	-	deg.
				Lower	-	(40)	-	
				Left	-	(60)	-	deg.
				Right	-	(70)	-	
Contrast ratio		CR	= $\pm 0^\circ$	(25)	(40)	-	-	
Brightness		L	IF=15mA/1LED line	(40)	(60)	-	cd/m ²	
Chromaticity coordinates		Red	x	= $\pm 0^\circ$	(TBD)	(TBD)	(TBD)	-
			y		(TBD)	(TBD)	(TBD)	
		Green	x	= $\pm 0^\circ$	(TBD)	(TBD)	(TBD)	
			y		(TBD)	(TBD)	(TBD)	
		Blue	x	= $\pm 0^\circ$	(TBD)	(TBD)	(TBD)	
			y		(TBD)	(TBD)	(TBD)	
		White	x	= $\pm 0^\circ$	(TBD)	(TBD)	(TBD)	
			y		(TBD)	(TBD)	(TBD)	

6-3. Definition of Reflectance

$$(\text{Reflectance}) = \frac{\text{Measured Reflection Brightness}}{\text{Reflection Brightness against Standard White Board}} \times 100 (\%)$$

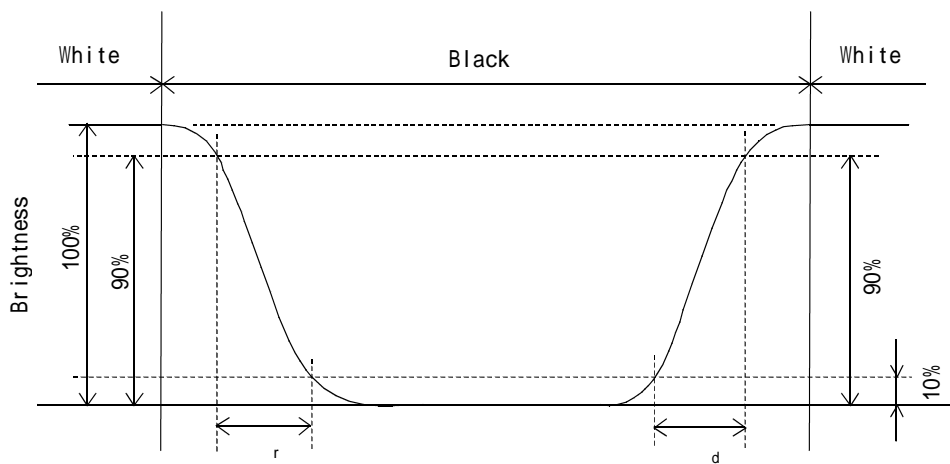
6-4. Definition of Contrast (Reflective Mode)

$$\text{CR (Contrast)} = \frac{\text{Reflectance at all pixels "White"}}{\text{Reflectance at all pixels "Black"}}$$

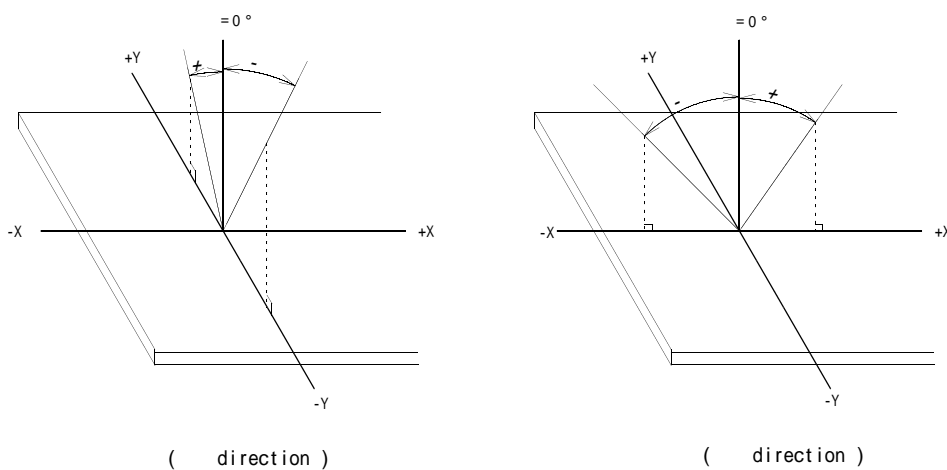
6-5. Definition of Contrast (Transmissive Mode)

$$\text{CR (Contrast)} = \frac{\text{Brightness at all pixels "White"}}{\text{Brightness at all pixels "Black"}}$$

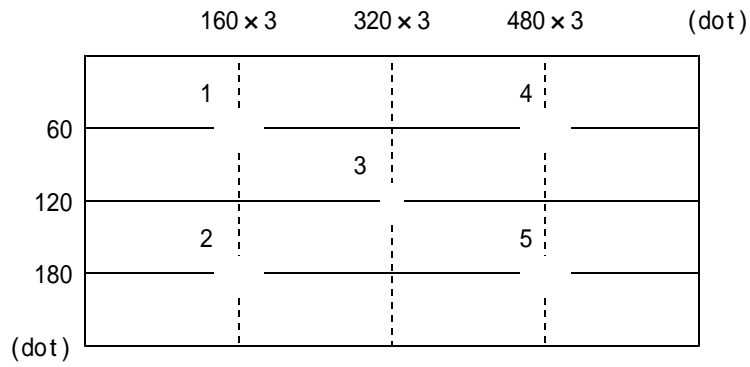
6-6. Definition of Response time



6-7. Definition of viewing angle

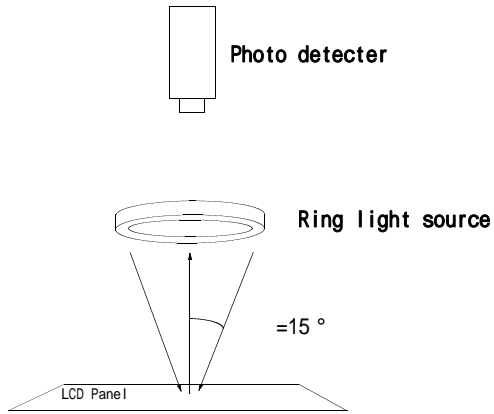


6-8. Measuring points



- 1) Rating is defined as the average brightness inside the viewing area.
- 2) 30 minutes after LED is turned on. (Ambient Temp.=25)
- 3) Backlight : IF = 15mA / 1 LED line

6-9. Measurement method of reflectance



7 . Interface signals

7-1. LCD

PIN NO.	SYMBOL	DESCRIPTION	I/O	Note
1	GND	GND	-	
2	CK	Clock signal for sampling each data signal		
3	Hsync	Horizontal synchronous signal (negative)		
4	Vsync	Vertical synchronous signal (negative)		
5	GND	GND	-	
6	R0	RED data signal (LSB)		
7	R1	RED data signal		
8	R2	RED data signal		
9	R3	RED data signal		
10	R4	RED data signal		
11	R5	RED data signal (MSB)		
12	GND	GND	-	
13	G0	GREEN data signal (LSB)		
14	G1	GREEN data signal		
15	G2	GREEN data signal		
16	G3	GREEN data signal		
17	G4	GREEN data signal		
18	G5	GREEN data signal (MSB)		
19	GND	GND	-	
20	B0	BLUE data signal (LSB)		
21	B1	BLUE data signal		
22	B2	BLUE data signal		
23	B3	BLUE data signal		
24	B4	BLUE data signal		
25	B5	BLUE data signal (MSB)		
26	GND	GND	-	
27	ENAB	Signal to settle the horizontal display position (positive)		*1
28	VDD	3.3V power supply	-	
29	VDD	3.3V power supply	-	
30	R/L	Horizontal display mode select signal H : Normal , L : Left / Right reverse mode		*2
31	U/D	Vertical display mode select signal L : Normal , H : Up / Down reverse mode		*2
32	V/Q	H : Normal		
33	GND	GND	-	

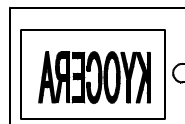
LCD side connector : 08-6210-033-340-800+ (ELC0)
 Recommended matching FFC or FPC : 0.5mm pitch

*1 The horizontal display start timing is settled in accordance with a rising timing of ENAB signal.
 In case ENAB is fixed "Low", the horizontal start timing is determined as described in 8-2.
 Don't keep ENAB "High" during operation.

*2



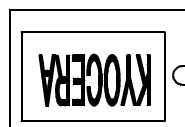
R/L = H
U/D = L



R/L = L
U/D = L



R/L = H
U/D = H



R/L = L
U/D = H

8 . Timing Characteristics of input signals

8-1. Timing characteristics

ITEM		SYMBOL	MIN	TYP	MAX	UNIT	NOTE
Clock	Frequency	1/Tc	-	25.18	28.33	MHz	V/Q=H
	Duty ratio	Tch/Tc	40	50	60	%	
Data	Set up time	Tds	5	-	-	ns	
	Hold time	Tdh	10	-	-	ns	
Horizontal sync. signal	Cycle	TH	30.0	31.8	-	μs	V/Q=H
			770	800	900	clock	
	Pulse width	THp	2	96	200	clock	
Vertical sync. signal	Cycle	TV	515	525	560	line	V/Q=H
	Pulse width	TVp	2	-	34	line	
Horizontal display period		THd	640			clock	
Hsync.-Clock phase difference		THc	10	-	Tc-10	ns	
Hsync.-Vsync. phase difference		TVh	0	-	TH-THp	ns	
Vertical sync.signal start position		TVs	34			line	V/Q=H
Vertical display period		TVd	240			line	

*In case of lower frequency, the deterioration of the display quality, flicker etc., may occur.

8-2. Horizontal display position

The horizontal display position is determined by ENAB signal.

ITEM		SYMBOL	MIN	TYP	MAX	UNIT	NOTE
Enable signal	Set up time	Tes	5	-	Tc-10	ns	
	Pulse width	Tep	2	640	TH-10	clock	
Hsync.-Enable signal phase difference		The	44	-	TH-664	clock	V/Q=H

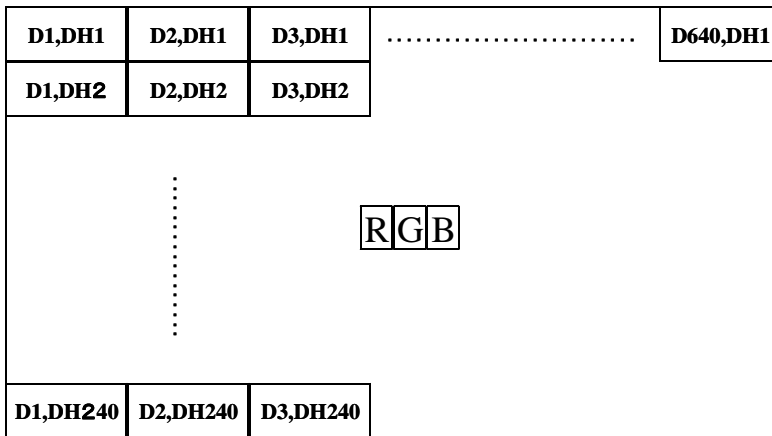
*When ENAB is fixed at "Low", the display starts from the data of C104(clock) as shown in 8-5.

8-3. Vertical display position

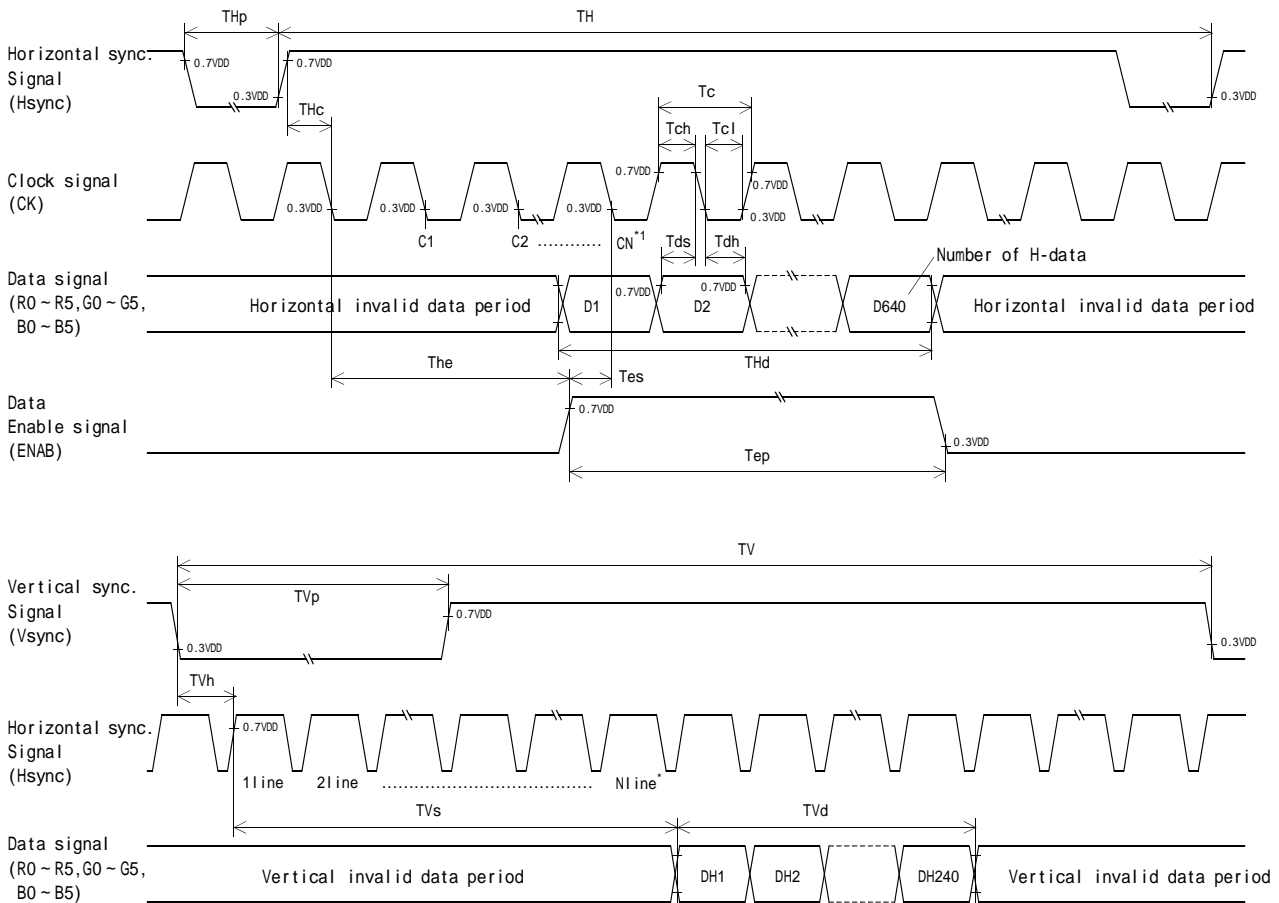
The vertical display position (TVs) is fixed at 34th line (V/Q=H).

Note) ENAB signal is independent of vertical display position.

8-4. Input Data Signals and Display position on the screen



8-5. Input Timing Characteristics



*1 When ENAB is fixed at V/Q="H", the display starts from the data of C104(Clock).

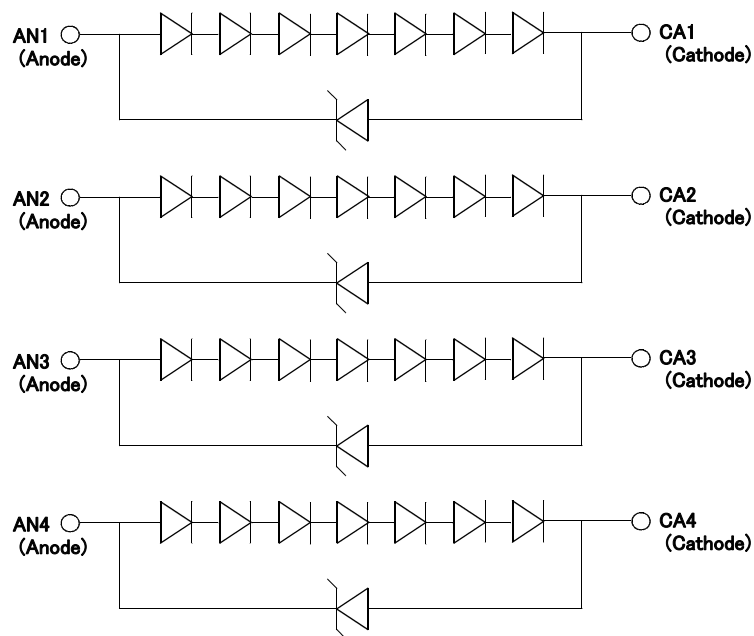
*2 The vertical display position(TVs) is fixed at 34th line(V/Q=H).

9. Backlight Characteristics

Temp. = 25

ITEM	SYMBOL	MIN.	TYP.	MAX.	Unit	NOTE
Forward current *1	IF	-	(15)	-	mA	Ta=25
Forward voltage	VF	-	(23.8)	(26.0)	V	IF=(15)mA, Ta=- (20)
		-	(21.7)	(23.8)	V	IF=(15)mA, Ta=25
		-	(21.5)	(23.5)	V	IF=(15)mA, Ta=(70)
Operating life *2	T	-	(TBD)*3	-	h	IF=(15)mA, Ta=25

*1 For each "AN1-CA1", "AN2-CA2", "AN3-CA3" and "AN4-CA4".



*2 When surface brightness decreases 50% of initial brightness .

*3 Life time is estimated data.

* A forward current below 8.0mA may reduce the brightness uniformity of the LED backlight. This is because the amount of light from each LED chip is different. Therefore, please evaluate carefully before finalizing the input current.

10 . Design Guidance for Analog Touch-Panel(T/P)

10-1. Electrical

In customer's design, please remember the following considerations.

1. Do not use the current regulated circuit.
2. Keep the current limit with top and bottom layer.(See Sec, 4-1)
3. Analog T/P can not sense two point touching separately.
4. A contact resistance is appeared at the touch point between top and bottom layer.
After this resistance has stable read the T/P position data.
5. Analog T/P is also a "Capacitor" in an equivalent circuit.
Design your sensing circuit and low-pass filter with considering this "Capacitor" value.
6. Because noise of inverter or peripheral circuits may interfere signal of touch panel itself it is necessary to design carefully in advance to avoid these noise problem.

10-2. Software

1. Do the "User Calibration".
2. "User Caribration" may be needed with long term using.
Include "User Caribration" menu in your software.
3. When drawing a line with a stylus, there may be a slight discontinuity when the stylus passes over a spacer-dot. If necessary, please provide a compensation feature within your software.

10-3. Mounting on display and housing bezel

1. Do not use an adhesive tape to bond it on the front of T/P and hang it to the housing bezel.
2. Never expand the T/P top layer (PET-film) like a balloon by internal air pressure.
The life of the T/P will be extremely short.
3. If a dew will be on the heat-sealed area or exposed traces at the end of a flexible tail, the migration of silver can occur.
This will cause sometimes a short circuit.

1 1 . Lot Number Identification

The lot number shall be indicated on the back of the backlight case of each LCD.

THG062HVLAJ - G00 - _____ - _____ MADE IN _____

↓ ↓ ↓ ↓ ↓
 ① ② ③ ④ ⑤

YEAR
 MONTH
 DATE
 Version Number
 Country of origin (JAPAN or CHINA)

YEAR	2007	2008	2009	2010	2011	2012
CODE	7	8	9	0	1	2

MONTH	JAN.	FEB.	MAR.	APR.	MAY.	JUN.
CODE	1	2	3	4	5	6

MONTH	JUL.	AUG.	SEP.	OCT.	NOV.	DEC.
CODE	7	8	9	X	Y	Z

1 1 . Warranty

11-1. Incoming inspection

Please inspect the LCD within one month after your receipt.

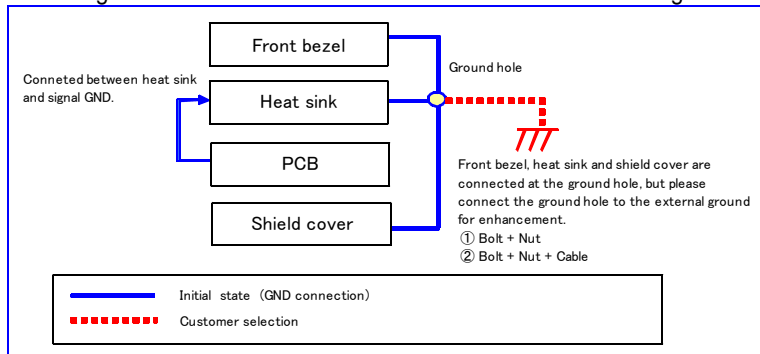
11-2. Production Warranty

Kyocera warrants its LCDs for a period of 12 months after receipt by the purchaser, and within the limits specified. Kyocera shall, by mutual agreement, replace or rework defective LCDs that are shown to be Kyocera's responsibility.

1 2 . Precautions for use

12-1. Installation of the LCD

1. The LCD's bezel must be grounded. The heat sink and shield cover are connected at the ground hole. The ground hole is located on the right side of the LCD when viewed from the front. The ground hole must be connected to an external ground.



2. The LCD shall be installed so that there is no pressure on the LSI chips.
3. The LCD shall be installed flat, without twisting or bending.
4. The display window size should be the same as the effective viewing area.
5. In case you use outside frame of effective viewing area as outward appearance of your product, unevenness of its outward appearance is out of guarantee.
6. Please refer to the following our recommendable value of Clamp-down torque when installing.
Clamp-down torque: 0.265 ± -0.025 N.m Please set up 'SPEED-LOW', 'SOFT START-SLOW' when using electric driver .
Recommendable screw JIS tapping screw two types nominal dia.3.0mm
installing boss hole depth 4.2 ± 0.5 mm
Please be careful not to use high torque which may damage LCD module in installation.
7. This Kyocera LCD module has been specifically designed for use in general electronic devices, but not for use in a special environment such as usage in an active gas.
Hence, when the LCD is supposed to be used in a special environment, evaluate the LCD thoroughly beforehand and do not expose the LCD to chemicals such as an active gas.

12-2. Static Electricity

1. Since CMOS ICs are mounted directly onto the LCD glass, protection from static electricity is required. Operator should wear ground straps.

12-3. LCD Operation

1. The LCD shall be operated within the limits specified. Operation at values outside of these limits may shorten life, and/or harm display images.
2. Operation of the LCD at temperature below the limit specified may cause image degradation and/or bubbles.
It may also change the characteristics of the liquid crystal.
This phenomenon may not recover. The LCD shall be operated within the temperature limits specified.

12-4. Storage

1. The LCD shall be stored within normal temperature and humidity.
Store in a dark area, and protected the LCD from direct sunlight or fluorescent light.
2. The LCD should be packaged to prevent damage.

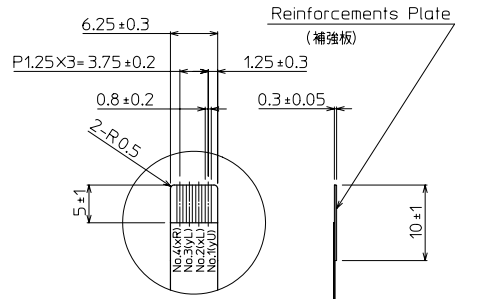
12-5. Screen Surface

1. DO NOT store in a high humidity environment for extended periods. Polarizer degradation bubbles, and/or peeling off of the polarizer may result.
2. Do not push or rub the touch panel's surface with hard to sharp objects such as knives, or the touch panel may be scratched.
3. When the touch panel is dirty, gently wipe the surface with a soft cloth, sometimes moistened by mild detergent or alcohol. If a hazardous chemical is dropped on the touch panel by mistake, wipe it off right away to prevent human contact.
4. Touch panel edges are sharp. Handle the touch panel with enough care to prevent cuts.
5. Always keep the LCD free from condensation during testing. Condensation may permanently spot or stain the polarizer.
6. Do not pull the LED cable and do not bend the root of the wires. Housing should be designed to protect LED cable from external stress.
7. Do not disassemble LCD module because it will result in damage.
8. Please do not use solid-base image pattern for long hours because a temporary afterimage may appear. We recommend using screen saver etc. in cases where a solid-base image pattern must be used.
9. Liquid crystal may leak when the module is broken. Be careful not to let the fluid go into your eyes and mouth. In the case the fluid touches your body; rinse it off right away with water and soap.

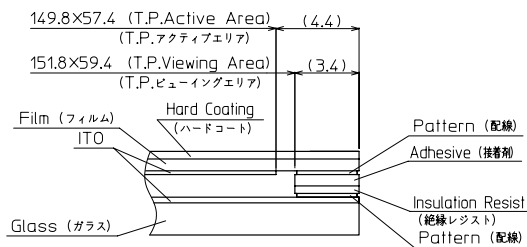
1 3 . Reliability Data / Environmental Test

TEST ITEM	TEST CONDITION	TEST TIME	RESULT
High Temp. Atmosphere	80	240h	Display Quality : (TBD) Display Function : (TBD) Current Consumption : (TBD)
Low Temp. Atmosphere	-30	240h	Display Quality : (TBD) Display Function : (TBD) Current Consumption : (TBD)
High Temp. Humidity Atmosphere	40 90 %RH	240h	Display Quality : (TBD) Display Function : (TBD) Current Consumption : (TBD)
Temp. Cycle	-30 0.5 h R.T. 0.5 h 80 0.5 h	10 cycles	Display Quality : (TBD) Display Function : (TBD) Current Consumption : (TBD)
High Temp. Operation	70	240h	Display Quality : (TBD) Display Function : (TBD) Current Consumption : (TBD)
Point Activation life	Polyacetal stylus (R0.8) Hitting force 3N Hitting speed 2 time/s	one million times	Terminal resistance : No defect Insulation resistance : No defect Linearity : No defect Actuation Force : No defect

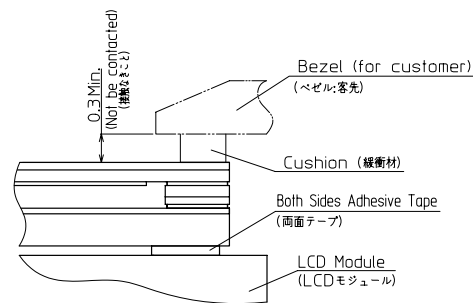
- * Each test item uses a test LCD only once. The tested LCD is not used in any other tests.
- * The LCD is tested in circumstances in which there is no condensation.
- * The reliability test is not an out-going inspection.
- * The results of the reliability test are for your reference purpose only.
The reliability test is conducted only to examine the LCD's capability.



DETAIL D (2:1)



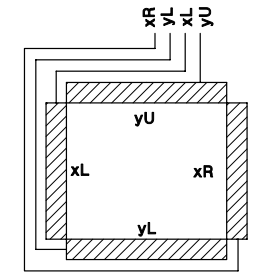
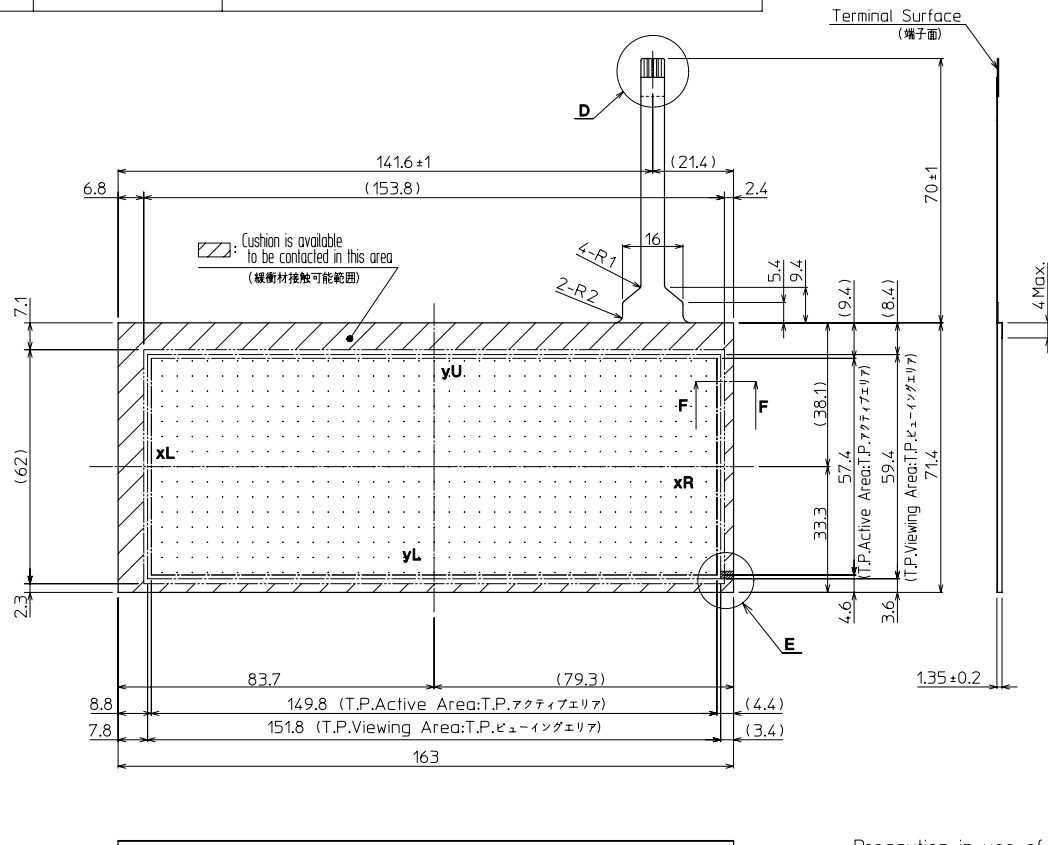
SECTION F-F (NTS)



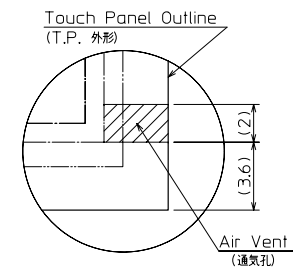
Note (注記)

No.	Name (名称)	Explanation (説明)
1	T.P.	Touch panel (タッチパネル)
2	T.P. Active Area (T.P.アクティブエリア)	Operating area of touch panel (タッチパネルの動作範囲)
3	T.P. Viewing Area (T.P.ビューイングエリア)	Warranty area of touch panel's appearance (タッチパネルの外観(傷・異物等)保証範囲)

By giving pressure between the active area and the effective viewing area of the touch panel, there is a possibility that the touch panel will operate. (タッチパネルアクティブエリアとタッチパネルビューイングエリア間は荷重をかけた場合は、タッチパネルが動作する可能性があります。)



Touch Panel Pin-assign (タッチパネル ピンアサイン)



DETAIL E (5:1)

Precaution in use of touch panel.
(タッチパネル使用上の注意事項)

- Fix touch panel at LCD module and the rear side of touch panel.
(タッチパネルの固定はLCDモジュール側とタッチパネル裏面とで行なうこと)
- Must maintain a gap between inside of bezel and touch panel to avoid malfunction or electrode damage of touch panel.
(ベゼル内側とタッチパネルの接触厳禁。誤動作や電極破損の原因となります)

Precaution in use of touch panel.
(タッチパネル使用上の注意事項)

There is vent channel to equalize air pressure between the inner space of the touch panel and the atmosphere. Please make sure it is not blocked by your housing and mounting method.
(タッチパネルの中には内圧と外圧を均一にするため通気孔を設けています。取り付け時にこの通気孔を塞がないようにしてください。)

Material 材質	Treatment 処理	Approved '07.06.21	Checked '07.06.21	Checked '07.06.21	Drawn 茶園	Scale 1:1 (5:1,2:1,NTS)	Title THG062HVLAJ	Year-Month-Day '07.06.20	Size 2
Quantity 製作数	Description 備考	RoHS	阿部	今村	茶園		T.P. Outline Dimensions	Drawing No. 121A5061600-1	2/2

No.	Description	Drawn	Checked	Checked	Approved
△	Delete Comment (コメント削除)	'07.09.07 茶園	'07.09.10 今村		'07.09.10 南

SPEC.NO.	TQ3C-8EAF0-E2DKB14-00
DATE	September 7, 2007

FOR :

KYOCERA INSPECTION STANDARD

TYPE : THG062HVLAJ-G00

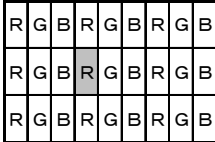
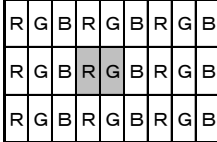
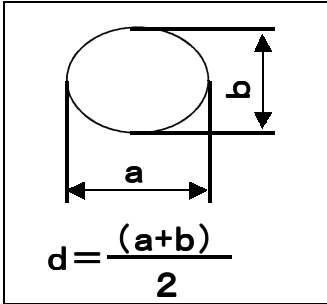
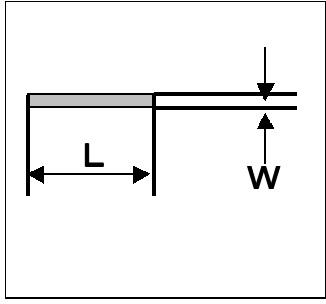
KYOCERA CORPORATION
KAGOSHIMA HAYATO PLANT
LCD DIVISION

Original	Designed by :Engineering Dept.			Confirmed by :QA Dept.	
Issue Date	Prepared	Checked	Approved	Checked	Approved
September 7, 2007	<i>T. Odera</i>	<i>Y. Yamaguchi</i>	<i>H. Matsumoto</i>	<i>J. Sakaguchi</i>	<i>S. Ito</i>

Revision Record

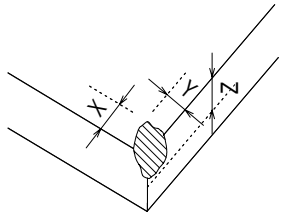
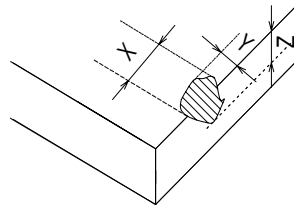
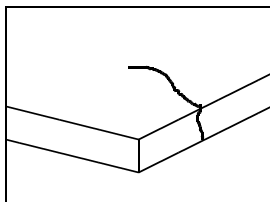
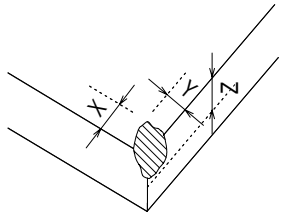
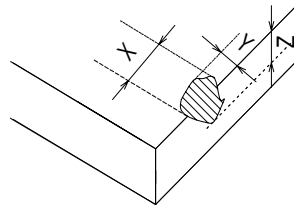
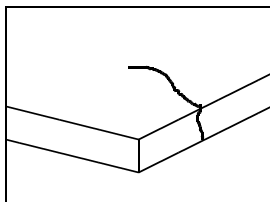
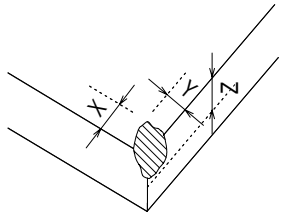
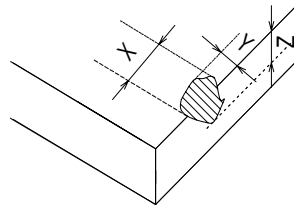
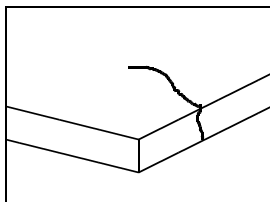
Date	Designed by: Engineering Dept.			Confirmed by: QA Dept.	
	Prepared	Checked	Approved	Checked	Approved
Rev. No.	Date	Page	Descriptions		

1) Note

		Note		
General	<p>1. Customer identified anomalies not defined within this inspection standard shall be reviewed by Kyocera, and an additional standard shall be determined by mutual consent.</p> <p>2. Inspection Conditions Luminance : 500 Lux minimum Inspection distance : 300 mm (from the sample) Temperature : 25 ± 5 °C Direction : directly above</p>			
Definition of Inspection item	Dot defect	Bright dot defect	<p>The dot is constantly "on" when power applied to the LCD, even when all "Black" data sent to the screen. Inspection tool: 5% Transparency neutral density filter. Count dot: If the dot is visible through the filter Don't count dot: If the dot is not visible through the filter.</p>  <p style="text-align: right;">■ dot defect</p>	
		Black dot defect	<p>The dot is constantly "off" when power applied to the LCD, even when all "white" data sent to the screen.</p>	
		Adjacent dot	<p>Adjacent dot defect is defined as two or more bright dot defects or black dot defects.</p>  <p style="text-align: right;">■ dot defect</p>	
	External inspection	Bubble, Scratches, Foreign particle (Polarizer, Cell, Backlight)	Visible operating (all pixels "Black" or "White") and non operating.	
		Appearance inspection	Does not satisfy the value at the spec.	
	Others	CFL wires	Damaged to the CFL wires, connector, pin, functional failure or appearance failure.	
	Definition of size	<p>Definition of circle size</p>  $d = \frac{(a+b)}{2}$	<p>Definition of linear size</p> 	

2) Standard

Classification		Inspection item		Judgement standard																	
defect (in LCD glass)	Dot defect	Bright dot defect		Acceptable number : 4 bright dots defects Bright dot spacing : 5 mm or more																	
		Black dot defect		Acceptable number : 5 black dots defects Black dot spacing : 5 mm or more																	
		2 dots join	Bright dot defect	Acceptable number : 2																	
			Black dot defect	Acceptable number : 3																	
		3 or more dots join		Acceptable number : 0																	
	Total dot defects		Acceptable number : 5 Max																		
	Others	White dot, Dark dot (Circle)		<table border="1"> <thead> <tr> <th>Size(mm)</th> <th colspan="2">Acceptable Number</th> </tr> </thead> <tbody> <tr> <td>d < 0.2</td> <td colspan="2">(neglected)</td> </tr> <tr> <td>0.2 < d ≤ 0.4</td> <td colspan="2">5</td> </tr> <tr> <td>0.4 < d ≤ 0.5</td> <td colspan="2">3</td> </tr> <tr> <td>0.5 < d</td> <td colspan="2">0</td> </tr> </tbody> </table>			Size(mm)	Acceptable Number		d < 0.2	(neglected)		0.2 < d ≤ 0.4	5		0.4 < d ≤ 0.5	3		0.5 < d	0	
Size(mm)	Acceptable Number																				
d < 0.2	(neglected)																				
0.2 < d ≤ 0.4	5																				
0.4 < d ≤ 0.5	3																				
0.5 < d	0																				
External inspection (Defect on Polarizer or between Polariz- er and LCD glass)	Polarizer(Scratches)			<table border="1"> <thead> <tr> <th>Width(mm)</th> <th>Length(mm)</th> <th>Acceptable Number</th> </tr> </thead> <tbody> <tr> <td>W ≤ 0.1</td> <td>-</td> <td>(neglected)</td> </tr> <tr> <td rowspan="2">0.1 < W ≤ 0.3</td> <td>L ≤ 5.0</td> <td>(neglected)</td> </tr> <tr> <td>5.0 < L</td> <td>0</td> </tr> <tr> <td>0.3 < W</td> <td>-</td> <td>0</td> </tr> </tbody> </table>			Width(mm)	Length(mm)	Acceptable Number	W ≤ 0.1	-	(neglected)	0.1 < W ≤ 0.3	L ≤ 5.0	(neglected)	5.0 < L	0	0.3 < W	-	0	
		Width(mm)	Length(mm)	Acceptable Number																	
		W ≤ 0.1	-	(neglected)																	
		0.1 < W ≤ 0.3	L ≤ 5.0	(neglected)																	
	5.0 < L		0																		
	0.3 < W	-	0																		
	Polarizer Touch panel (Bubble, Dent)			<table border="1"> <thead> <tr> <th>Size(mm)</th> <th colspan="2">Acceptable Number</th> </tr> </thead> <tbody> <tr> <td>d < 0.2</td> <td colspan="2">(neglected)</td> </tr> <tr> <td>0.2 < d ≤ 0.3</td> <td colspan="2">5</td> </tr> <tr> <td>0.3 < d ≤ 0.5</td> <td colspan="2">3</td> </tr> <tr> <td>0.5 < d</td> <td colspan="2">0</td> </tr> </tbody> </table>			Size(mm)	Acceptable Number		d < 0.2	(neglected)		0.2 < d ≤ 0.3	5		0.3 < d ≤ 0.5	3		0.5 < d	0	
		Size(mm)	Acceptable Number																		
		d < 0.2	(neglected)																		
		0.2 < d ≤ 0.3	5																		
0.3 < d ≤ 0.5	3																				
0.5 < d	0																				
Foreign Particle(Circular shape)			<table border="1"> <thead> <tr> <th>Size(mm)</th> <th colspan="2">Acceptable Number</th> </tr> </thead> <tbody> <tr> <td>d < 0.2</td> <td colspan="2">(neglected)</td> </tr> <tr> <td>0.2 < d ≤ 0.4</td> <td colspan="2">5</td> </tr> <tr> <td>0.4 < d ≤ 0.5</td> <td colspan="2">3</td> </tr> <tr> <td>0.5 < d</td> <td colspan="2">0</td> </tr> </tbody> </table>			Size(mm)	Acceptable Number		d < 0.2	(neglected)		0.2 < d ≤ 0.4	5		0.4 < d ≤ 0.5	3		0.5 < d	0		
	Size(mm)	Acceptable Number																			
	d < 0.2	(neglected)																			
	0.2 < d ≤ 0.4	5																			
0.4 < d ≤ 0.5	3																				
0.5 < d	0																				
Foreign Particle (Linear shape), Scratches			<table border="1"> <thead> <tr> <th>Width(mm)</th> <th>Length(mm)</th> <th>Acceptable Number</th> </tr> </thead> <tbody> <tr> <td>W ≤ 0.03</td> <td>-</td> <td>(neglected)</td> </tr> <tr> <td rowspan="3">0.03 < W ≤ 0.1</td> <td>L ≤ 2.0</td> <td>(neglected)</td> </tr> <tr> <td>2.0 < L ≤ 4.0</td> <td>3</td> </tr> <tr> <td>4.0 < L</td> <td>0</td> </tr> <tr> <td>0.1 < W</td> <td>-</td> <td>(According to Circular shape)</td> </tr> </tbody> </table>			Width(mm)	Length(mm)	Acceptable Number	W ≤ 0.03	-	(neglected)	0.03 < W ≤ 0.1	L ≤ 2.0	(neglected)	2.0 < L ≤ 4.0	3	4.0 < L	0	0.1 < W	-	(According to Circular shape)
	Width(mm)	Length(mm)	Acceptable Number																		
	W ≤ 0.03	-	(neglected)																		
	0.03 < W ≤ 0.1	L ≤ 2.0	(neglected)																		
		2.0 < L ≤ 4.0	3																		
4.0 < L		0																			
0.1 < W	-	(According to Circular shape)																			

Inspection item	Judgement standard																																						
Scratch, Foreign particle (Touch Screen portion)	<p style="text-align: center;">(D = Average Diameter = (major axis + minor axis) / 2)</p> <table border="1" style="width: 100%; border-collapse: collapse;"> <thead> <tr> <th></th> <th style="text-align: center;">Width(mm)</th> <th style="text-align: center;">Length(mm)</th> <th style="text-align: center;">Acceptable No.</th> </tr> </thead> <tbody> <tr> <td rowspan="4" style="text-align: center; vertical-align: middle;">Scratch</td> <td style="text-align: center;">0.1 W > 0.08</td> <td style="text-align: center;">4 L</td> <td style="text-align: center;">1pcs within 30mm</td> </tr> <tr> <td style="text-align: center;">0.08 W > 0.05</td> <td style="text-align: center;">6 L</td> <td style="text-align: center;">2pcs within 20mm</td> </tr> <tr> <td style="text-align: center;">0.05 W > 0.03</td> <td style="text-align: center;">10 L</td> <td style="text-align: center;">2pcs within 20mm</td> </tr> <tr> <td style="text-align: center;">0.03 W</td> <td style="text-align: center;">20 L</td> <td style="text-align: center;">neglected</td> </tr> <tr> <td rowspan="2" style="text-align: center; vertical-align: middle;">Foreign (line like)</td> <td style="text-align: center;">0.1 W > 0.05</td> <td style="text-align: center;">5 L</td> <td style="text-align: center;">2pcs within 30mm</td> </tr> <tr> <td style="text-align: center;">0.05 W</td> <td style="text-align: center;">neglected</td> <td style="text-align: center;">neglected</td> </tr> <tr> <td rowspan="2" style="text-align: center; vertical-align: middle;">Foreign (circle like)</td> <td style="text-align: center;">0.3 D > 0.2</td> <td></td> <td style="text-align: center;">2pcs within 30mm</td> </tr> <tr> <td style="text-align: center;">0.2 D</td> <td></td> <td style="text-align: center;">neglected</td> </tr> </tbody> </table> <p>Above are applied to the visible area. Unless there are foreign particles and damage affected seriously to the electrical performance in the visible area, we approve of this product.</p>		Width(mm)	Length(mm)	Acceptable No.	Scratch	0.1 W > 0.08	4 L	1pcs within 30mm	0.08 W > 0.05	6 L	2pcs within 20mm	0.05 W > 0.03	10 L	2pcs within 20mm	0.03 W	20 L	neglected	Foreign (line like)	0.1 W > 0.05	5 L	2pcs within 30mm	0.05 W	neglected	neglected	Foreign (circle like)	0.3 D > 0.2		2pcs within 30mm	0.2 D		neglected							
	Width(mm)	Length(mm)	Acceptable No.																																				
Scratch	0.1 W > 0.08	4 L	1pcs within 30mm																																				
	0.08 W > 0.05	6 L	2pcs within 20mm																																				
	0.05 W > 0.03	10 L	2pcs within 20mm																																				
	0.03 W	20 L	neglected																																				
Foreign (line like)	0.1 W > 0.05	5 L	2pcs within 30mm																																				
	0.05 W	neglected	neglected																																				
Foreign (circle like)	0.3 D > 0.2		2pcs within 30mm																																				
	0.2 D		neglected																																				
Glass crack (Touch Screen portion)	<table border="1" style="width: 100%; border-collapse: collapse;"> <tr> <td rowspan="3" style="text-align: center; vertical-align: middle;">Judgement standard</td> <td colspan="3" style="text-align: center;">Corner crack</td> <td colspan="3" style="text-align: center;">Cracks in other area than in corner</td> </tr> <tr> <td colspan="3" style="text-align: center;"></td> <td colspan="3" style="text-align: center;"></td> </tr> <tr> <td style="text-align: center;">X</td> <td style="text-align: center;">Y</td> <td style="text-align: center;">Z</td> <td style="text-align: center;">X</td> <td style="text-align: center;">Y</td> <td style="text-align: center;">Z</td> </tr> <tr> <td></td> <td style="text-align: center;">3</td> <td style="text-align: center;">3</td> <td style="text-align: center;">< t</td> <td style="text-align: center;">5</td> <td style="text-align: center;">1.5</td> <td style="text-align: center;">< t</td> </tr> <tr> <td></td> <td colspan="3" style="text-align: center;">2pcs/panel</td> <td colspan="3" style="text-align: center;">2pcs/side</td> </tr> </table> <table border="1" style="width: 100%; border-collapse: collapse;"> <tr> <td rowspan="2" style="text-align: center; vertical-align: middle;">Judgement standard</td> <td style="text-align: center;">Progressive crack</td> </tr> <tr> <td style="text-align: center;"></td> </tr> <tr> <td></td> <td style="text-align: center;">0pcs(NG even 1pcs)</td> </tr> </table> <p>Above are applied to the visible area. Unless there are foreign particles and damage affected seriously to the electrical performance in the visible area, we approve of this product.</p>	Judgement standard	Corner crack			Cracks in other area than in corner									X	Y	Z	X	Y	Z		3	3	< t	5	1.5	< t		2pcs/panel			2pcs/side			Judgement standard	Progressive crack			0pcs(NG even 1pcs)
Judgement standard	Corner crack			Cracks in other area than in corner																																			
																																							
	X	Y	Z	X	Y	Z																																	
	3	3	< t	5	1.5	< t																																	
	2pcs/panel			2pcs/side																																			
Judgement standard	Progressive crack																																						
																																							
	0pcs(NG even 1pcs)																																						